

HOWENI
FOCUS ON SECURITY

FIREPROOF FILING
CABINETS

FIRESAFE BDA

01.02



FIRESAFE BDA 580



FIRESAFE BDA 330



FIRESAFE BDA 460

FIRESAFE BDA filing cabinets are designed to contain large quantities of documents using the least possible space. They can be placed in the archive room or in the office in order to protect private or common documents and serve as a working or intermediate archive.

kslut

Inventarie
förteck

Försäk-
ringar

Leverantö-
rer

Kvalitets-
dokument

Lager



HOWENI A/S
RØDAGER ALLE 125-127
DK-2610 RØDOVRE
T +45 7010 5588
F +45 7010 5599
HOWENI@HOWENI.DK
WWW.HOWENI.DK

LIGHT WEIGHT DOORS AND FLEXIBLE INTERIOR

FireSafe BDA replaces ordinary non fire safe office cabinets. Light weight doors and flexible interior makes the FireSafe BDA very user-friendly.

SAVE FLOOR SPACE

The FireSafe BDA range is constructed with the thinnest walls on the market, which minimizes the wall- and floor space used. In order to save floor space the FireSafe BDA can be placed “back to back” or “side by side”. Opening the doors 90 degrees will provide full access. FireSafe is constructed with one or two doors to ensure that as little space as possible is used, when the doors are open. The doors can be opened 270 degrees, so the doors do not use any space in front of the cabinet.

LOCKS OPTIONS

The FireSafe is delivered with a standard simple locking system. Very often the cabinet is not locked, as it should protect against fire only. In order to improve the security the cabinet can be mounted with an electronic code lock or access control system.

FIREPROTECTED ARCHIVE ROOM OR BDA

FireSafe BDA is an economic solution, providing fire protection for documents and paper in minimum 60 minutes. The cabinets are often used as a cost efficient alternative to fire protected archive rooms and the system can also be delivered as a system of compact trolleys.

30, 40, 60 OR 120 BRIEFCASES/RING BINDERS

FireSafe BDA 330 has a capacity of 30 wide bindings, FireSafe BDA 460 takes 40 wide bindings, FireSafe BDA 580 takes 60 wide bindings (including the mounted writing shelf) and FireSafe BDA 990 takes 120 wide bindings.

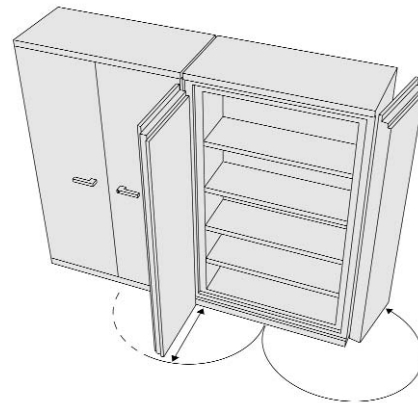
RIGHT- OR LEFT HINGED

The two models with one door, FireSafe BDA 330 and 460, are, as a standard, delivered right hinged.

INTERIOR AND ACCESSORIES

The cabinet is always delivered without interior. Shelves, box room, pull-out shelves for suspended files and writing shelf can be ordered separately as accessories. Special interior can be produced on request. The interior is easy to mount in the cabinet, and can easily be removed.

FireSafe BDA can be mounted with a data-media fireproof box, FireSafe DD. A part of the cabinet can in this case be used as a fire proof datamedia solution. The cabinet is delivered in colour RAL 9002, off-white. The colour can be change according to customer requests.



MODEL	OUTSIDE DIMENSIONS [MM]			INSIDE DIMENSIONS [MM]			VOLUME LITER	WEIGHT KG
	HEIGHT	WIDTH	DEPTH	HEIGHT	WIDTH	DEPTH		
FIRESAFE BDA 330	1320	885	505	1200	760	360	328	300
FIRESAFE BDA 390	1320	1050	505	1200	900	360	390	340
FIRESAFE BDA 460	1850	885	505	1730	760	360	474	360
FIRESAFE BDA 580	1900	1055	505	1780	900	360	576	400
FIRESAFE BDA 990	1900	1055	710	1780	900	570	913	500

DIMENSIONS ARE EXCLUSIVE HANDLES AND HINGES